



1

BOLZEN

Stahl verzinkt, blau passiviert



2

SPERRKLINKEN

Edelstahl nichtrostend, 1.4301



3

DRUCKFEDER

Edelstahl 1.4310



4

L-GRIFF

Kunststoff Thermoplast (Polyamid PA), glasfaserverstärkt, schwarz, mit Langloch für Kugelkette.

Einsatztemperatur bis 80 °C.



5

DRUCKKNOPF

Thermoplast (Polyacetal, POM), rot.

Einsatztemperatur bis 80 °C.



6



7

FUNKTIONEN UND ANWENDUNGEN

Die Steckbolzen mit Axialsicherung GN 114.11 dienen zum schnellen Fixieren, Verbinden und Sichern verschiedener Bauteile. Sie werden in der Regel als Lagerbolzen eingesetzt, die häufig montiert und wieder demontiert werden müssen.

Die rechteckigen Sperrklinken aus Edelstahlblech halten den Steckbolzen in axialer Position in der Bohrung. Sie werden durch Drücken des Knopfes zurückgezogen und kehren nach dem Loslassen durch die Druckfeder in die verriegelte Position zurück. Die Sperrklinken sind nicht zum L-Griff ausgerichtet.



8



9



10



11

ZUBEHÖR

Um den Einsatz dieser Sperrbolzen zu optimieren, wurden entwickelt:

- Kugelketten GN 111 (siehe Seite 611);
- Halteseile GN 111.2 (siehe Seite 612);
- Spiral-Halteseile GN 111.4 (siehe Seite 613).



12



13

GEBRAUCHSANWEISUNG

Durch Drücken des Druckknopfes werden die beiden Sperrklinken eingezogen und der Bolzen kann herausgezogen bzw. eingesteckt werden.



14



15



16



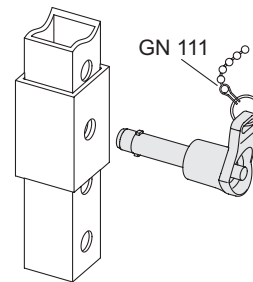
17

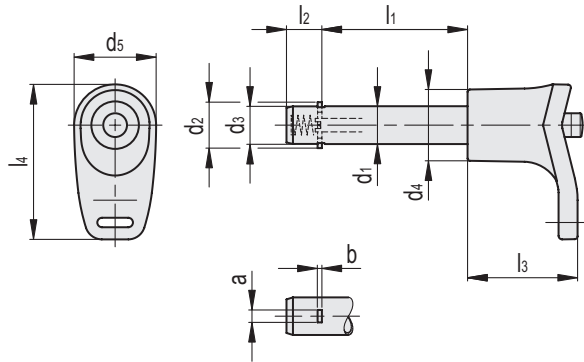


18



19

**Anwendungsbeispiele**

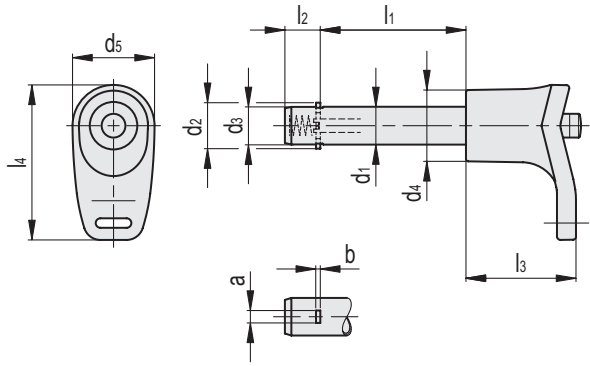


| Artikelnummer | Beschreibung | d1 -0.1 | d2 | d3 | d4 | d5 | l1 +0.4 | l2 | l3 | l4 | a | b | Doppelseitige Scherkraft [kN] | 📐 |
|---------------|------------------|---------|------|-----|----|------|---------|-----|------|------|-----|-----|-------------------------------|----|
| GN.80231 | GN 114.11-6-10 | 6 | 7.3 | 5.9 | 15 | 17.5 | 10 | 7 | 23 | 32.5 | 2.3 | 0.5 | 14 | 36 |
| GN.80232 | GN 114.11-6-12 | 6 | 7.3 | 5.9 | 15 | 17.5 | 12 | 7 | 23 | 32.5 | 2.3 | 0.5 | 14 | 37 |
| GN.80233 | GN 114.11-6-16 | 6 | 7.3 | 5.9 | 15 | 17.5 | 16 | 7 | 23 | 32.5 | 2.3 | 0.5 | 14 | 38 |
| GN.80234 | GN 114.11-6-20 | 6 | 7.3 | 5.9 | 15 | 17.5 | 20 | 7 | 23 | 32.5 | 2.3 | 0.5 | 14 | 39 |
| GN.80235 | GN 114.11-6-25 | 6 | 7.3 | 5.9 | 15 | 17.5 | 25 | 7 | 23 | 32.5 | 2.3 | 0.5 | 14 | 40 |
| GN.80236 | GN 114.11-6-30 | 6 | 7.3 | 5.9 | 15 | 17.5 | 30 | 7 | 23 | 32.5 | 2.3 | 0.5 | 14 | 41 |
| GN.80237 | GN 114.11-6-35 | 6 | 7.3 | 5.9 | 15 | 17.5 | 35 | 7 | 23 | 32.5 | 2.3 | 0.5 | 14 | 42 |
| GN.80238 | GN 114.11-6-40 | 6 | 7.3 | 5.9 | 15 | 17.5 | 40 | 7 | 23 | 32.5 | 2.3 | 0.5 | 14 | 43 |
| GN.80239 | GN 114.11-6-45 | 6 | 7.3 | 5.9 | 15 | 17.5 | 45 | 7 | 23 | 32.5 | 2.3 | 0.5 | 14 | 44 |
| GN.80240 | GN 114.11-6-50 | 6 | 7.3 | 5.9 | 15 | 17.5 | 50 | 7 | 23 | 32.5 | 2.3 | 0.5 | 14 | 45 |
| GN.80241 | GN 114.11-6-60 | 6 | 7.3 | 5.9 | 15 | 17.5 | 60 | 7 | 23 | 32.5 | 2.3 | 0.5 | 14 | 46 |
| GN.80242 | GN 114.11-6-70 | 6 | 7.3 | 5.9 | 15 | 17.5 | 70 | 7 | 23 | 32.5 | 2.3 | 0.5 | 14 | 47 |
| GN.80243 | GN 114.11-6-80 | 6 | 7.3 | 5.9 | 15 | 17.5 | 80 | 7 | 23 | 32.5 | 2.3 | 0.5 | 14 | 48 |
| GN.80251 | GN 114.11-8-10 | 8 | 9.8 | 7.9 | 15 | 17.5 | 10 | 8.4 | 23 | 32.5 | 2.8 | 0.6 | 28 | 17 |
| GN.80252 | GN 114.11-8-16 | 8 | 9.8 | 7.9 | 15 | 17.5 | 16 | 8.4 | 23 | 32.5 | 2.8 | 0.6 | 28 | 19 |
| GN.80253 | GN 114.11-8-20 | 8 | 9.8 | 7.9 | 15 | 17.5 | 20 | 8.4 | 23 | 32.5 | 2.8 | 0.6 | 28 | 20 |
| GN.80254 | GN 114.11-8-25 | 8 | 9.8 | 7.9 | 15 | 17.5 | 25 | 8.4 | 23 | 32.5 | 2.8 | 0.6 | 28 | 22 |
| GN.80255 | GN 114.11-8-30 | 8 | 9.8 | 7.9 | 15 | 17.5 | 30 | 8.4 | 23 | 32.5 | 2.8 | 0.6 | 28 | 24 |
| GN.80256 | GN 114.11-8-35 | 8 | 9.8 | 7.9 | 15 | 17.5 | 35 | 8.4 | 23 | 32.5 | 2.8 | 0.6 | 28 | 25 |
| GN.80257 | GN 114.11-8-40 | 8 | 9.8 | 7.9 | 15 | 17.5 | 40 | 8.4 | 23 | 32.5 | 2.8 | 0.6 | 28 | 27 |
| GN.80258 | GN 114.11-8-45 | 8 | 9.8 | 7.9 | 15 | 17.5 | 45 | 8.4 | 23 | 32.5 | 2.8 | 0.6 | 28 | 29 |
| GN.80259 | GN 114.11-8-50 | 8 | 9.8 | 7.9 | 15 | 17.5 | 50 | 8.4 | 23 | 32.5 | 2.8 | 0.6 | 28 | 30 |
| GN.80260 | GN 114.11-8-60 | 8 | 9.8 | 7.9 | 15 | 17.5 | 60 | 8.4 | 23 | 32.5 | 2.8 | 0.6 | 28 | 34 |
| GN.80261 | GN 114.11-8-70 | 8 | 9.8 | 7.9 | 15 | 17.5 | 70 | 8.4 | 23 | 32.5 | 2.8 | 0.6 | 28 | 37 |
| GN.80262 | GN 114.11-8-80 | 8 | 9.8 | 7.9 | 15 | 17.5 | 80 | 8.4 | 23 | 32.5 | 2.8 | 0.6 | 28 | 40 |
| GN.80263 | GN 114.11-8-90 | 8 | 9.8 | 7.9 | 15 | 17.5 | 90 | 8.4 | 23 | 32.5 | 2.8 | 0.6 | 28 | 44 |
| GN.80264 | GN 114.11-8-100 | 8 | 9.8 | 7.9 | 15 | 17.5 | 100 | 8.4 | 23 | 32.5 | 2.8 | 0.6 | 28 | 47 |
| GN.80271 | GN 114.11-10-15 | 10 | 11.7 | 9.9 | 18 | 23 | 15 | 9.8 | 30.5 | 43.5 | 3.3 | 1 | 38 | 31 |
| GN.80272 | GN 114.11-10-20 | 10 | 11.7 | 9.9 | 18 | 23 | 20 | 9.8 | 30.5 | 43.5 | 3.3 | 1 | 38 | 34 |
| GN.80273 | GN 114.11-10-25 | 10 | 11.7 | 9.9 | 18 | 23 | 25 | 9.8 | 30.5 | 43.5 | 3.3 | 1 | 38 | 36 |
| GN.80274 | GN 114.11-10-30 | 10 | 11.7 | 9.9 | 18 | 23 | 30 | 9.8 | 30.5 | 43.5 | 3.3 | 1 | 38 | 38 |
| GN.80275 | GN 114.11-10-35 | 10 | 11.7 | 9.9 | 18 | 23 | 35 | 9.8 | 30.5 | 43.5 | 3.3 | 1 | 38 | 41 |
| GN.80276 | GN 114.11-10-40 | 10 | 11.7 | 9.9 | 18 | 23 | 40 | 9.8 | 30.5 | 43.5 | 3.3 | 1 | 38 | 43 |
| GN.80277 | GN 114.11-10-45 | 10 | 11.7 | 9.9 | 18 | 23 | 45 | 9.8 | 30.5 | 43.5 | 3.3 | 1 | 38 | 45 |
| GN.80278 | GN 114.11-10-50 | 10 | 11.7 | 9.9 | 18 | 23 | 50 | 9.8 | 30.5 | 43.5 | 3.3 | 1 | 38 | 48 |
| GN.80279 | GN 114.11-10-60 | 10 | 11.7 | 9.9 | 18 | 23 | 60 | 9.8 | 30.5 | 43.5 | 3.3 | 1 | 38 | 52 |
| GN.80280 | GN 114.11-10-70 | 10 | 11.7 | 9.9 | 18 | 23 | 70 | 9.8 | 30.5 | 43.5 | 3.3 | 1 | 38 | 57 |
| GN.80281 | GN 114.11-10-80 | 10 | 11.7 | 9.9 | 18 | 23 | 80 | 9.8 | 30.5 | 43.5 | 3.3 | 1 | 38 | 61 |
| GN.80282 | GN 114.11-10-90 | 10 | 11.7 | 9.9 | 18 | 23 | 90 | 9.8 | 30.5 | 43.5 | 3.3 | 1 | 38 | 66 |
| GN.80283 | GN 114.11-10-100 | 10 | 11.7 | 9.9 | 18 | 23 | 100 | 9.8 | 30.5 | 43.5 | 3.3 | 1 | 38 | 71 |
| GN.80284 | GN 114.11-10-110 | 10 | 11.7 | 9.9 | 18 | 23 | 110 | 9.8 | 30.5 | 43.5 | 3.3 | 1 | 38 | 75 |
| GN.80285 | GN 114.11-10-120 | 10 | 11.7 | 9.9 | 18 | 23 | 120 | 9.8 | 30.5 | 43.5 | 3.3 | 1 | 38 | 80 |



Rastelemente

- 1
- 2
- 3
- 4
- 5
- 6
- 7
- 8**
- 9
- 10
- 11
- 12
- 13
- 14
- 15
- 16
- 17
- 18
- 19



| Artikelnummer | Beschreibung | d1-0.1 | d2 | d3 | d4 | d5 | l1+0.4 | l2 | l3 | l4 | a | b | Doppelseitige Scherkraft [KN] | |
|---------------|------------------|--------|------|------|----|------|--------|------|------|------|-----|-----|-------------------------------|-----|
| GN.80291 | GN 114.11-12-20 | 12 | 13.7 | 11.9 | 18 | 23 | 20 | 11.3 | 30.5 | 43.5 | 3.8 | 1 | 61 | 42 |
| GN.80292 | GN 114.11-12-25 | 12 | 13.7 | 11.9 | 18 | 23 | 25 | 11.3 | 30.5 | 43.5 | 3.8 | 1 | 61 | 45 |
| GN.80293 | GN 114.11-12-30 | 12 | 13.7 | 11.9 | 18 | 23 | 30 | 11.3 | 30.5 | 43.5 | 3.8 | 1 | 61 | 49 |
| GN.80294 | GN 114.11-12-35 | 12 | 13.7 | 11.9 | 18 | 23 | 35 | 11.3 | 30.5 | 43.5 | 3.8 | 1 | 61 | 53 |
| GN.80295 | GN 114.11-12-40 | 12 | 13.7 | 11.9 | 18 | 23 | 40 | 11.3 | 30.5 | 43.5 | 3.8 | 1 | 61 | 56 |
| GN.80296 | GN 114.11-12-45 | 12 | 13.7 | 11.9 | 18 | 23 | 45 | 11.3 | 30.5 | 43.5 | 3.8 | 1 | 61 | 60 |
| GN.80297 | GN 114.11-12-50 | 12 | 13.7 | 11.9 | 18 | 23 | 50 | 11.3 | 30.5 | 43.5 | 3.8 | 1 | 61 | 64 |
| GN.80298 | GN 114.11-12-60 | 12 | 13.7 | 11.9 | 18 | 23 | 60 | 11.3 | 30.5 | 43.5 | 3.8 | 1 | 61 | 71 |
| GN.80299 | GN 114.11-12-70 | 12 | 13.7 | 11.9 | 18 | 23 | 70 | 11.3 | 30.5 | 43.5 | 3.8 | 1 | 61 | 78 |
| GN.80300 | GN 114.11-12-80 | 12 | 13.7 | 11.9 | 18 | 23 | 80 | 11.3 | 30.5 | 43.5 | 3.8 | 1 | 61 | 86 |
| GN.80301 | GN 114.11-12-90 | 12 | 13.7 | 11.9 | 18 | 23 | 90 | 11.3 | 30.5 | 43.5 | 3.8 | 1 | 61 | 93 |
| GN.80302 | GN 114.11-12-100 | 12 | 13.7 | 11.9 | 18 | 23 | 100 | 11.3 | 30.5 | 43.5 | 3.8 | 1 | 61 | 100 |
| GN.80303 | GN 114.11-12-110 | 12 | 13.7 | 11.9 | 18 | 23 | 110 | 11.3 | 30.5 | 43.5 | 3.8 | 1 | 61 | 108 |
| GN.80304 | GN 114.11-12-120 | 12 | 13.7 | 11.9 | 18 | 23 | 120 | 11.3 | 30.5 | 43.5 | 3.8 | 1 | 61 | 115 |
| GN.80311 | GN 114.11-16-30 | 16 | 18.7 | 15.9 | 22 | 30.5 | 30 | 14.2 | 38.5 | 58 | 4.8 | 1.2 | 113 | 97 |
| GN.80312 | GN 114.11-16-35 | 16 | 18.7 | 15.9 | 22 | 30.5 | 35 | 14.2 | 38.5 | 58 | 4.8 | 1.2 | 113 | 104 |
| GN.80313 | GN 114.11-16-40 | 16 | 18.7 | 15.9 | 22 | 30.5 | 40 | 14.2 | 38.5 | 58 | 4.8 | 1.2 | 113 | 111 |
| GN.80314 | GN 114.11-16-45 | 16 | 18.7 | 15.9 | 22 | 30.5 | 45 | 14.2 | 38.5 | 58 | 4.8 | 1.2 | 113 | 118 |
| GN.80315 | GN 114.11-16-50 | 16 | 18.7 | 15.9 | 22 | 30.5 | 50 | 14.2 | 38.5 | 58 | 4.8 | 1.2 | 113 | 124 |
| GN.80316 | GN 114.11-16-60 | 16 | 18.7 | 15.9 | 22 | 30.5 | 60 | 14.2 | 38.5 | 58 | 4.8 | 1.2 | 113 | 138 |
| GN.80317 | GN 114.11-16-70 | 16 | 18.7 | 15.9 | 22 | 30.5 | 70 | 14.2 | 38.5 | 58 | 4.8 | 1.2 | 113 | 152 |
| GN.80318 | GN 114.11-16-80 | 16 | 18.7 | 15.9 | 22 | 30.5 | 80 | 14.2 | 38.5 | 58 | 4.8 | 1.2 | 113 | 165 |
| GN.80319 | GN 114.11-16-90 | 16 | 18.7 | 15.9 | 22 | 30.5 | 90 | 14.2 | 38.5 | 58 | 4.8 | 1.2 | 113 | 179 |
| GN.80320 | GN 114.11-16-100 | 16 | 18.7 | 15.9 | 22 | 30.5 | 100 | 14.2 | 38.5 | 58 | 4.8 | 1.2 | 113 | 192 |
| GN.80321 | GN 114.11-16-110 | 16 | 18.7 | 15.9 | 22 | 30.5 | 110 | 14.2 | 38.5 | 58 | 4.8 | 1.2 | 113 | 206 |
| GN.80322 | GN 114.11-16-120 | 16 | 18.7 | 15.9 | 22 | 30.5 | 120 | 14.2 | 38.5 | 58 | 4.8 | 1.2 | 113 | 219 |
| GN.80323 | GN 114.11-16-130 | 16 | 18.7 | 15.9 | 22 | 30.5 | 130 | 14.2 | 38.5 | 58 | 4.8 | 1.2 | 113 | 233 |
| GN.80324 | GN 114.11-16-140 | 16 | 18.7 | 15.9 | 22 | 30.5 | 140 | 14.2 | 38.5 | 58 | 4.8 | 1.2 | 113 | 247 |
| GN.80325 | GN 114.11-16-150 | 16 | 18.7 | 15.9 | 22 | 30.5 | 150 | 14.2 | 38.5 | 58 | 4.8 | 1.2 | 113 | 260 |
| GN.80331 | GN 114.11-20-30 | 20 | 22.7 | 19.8 | 25 | 30.5 | 30 | 14.8 | 38.5 | 58 | 4.8 | 1.2 | 187 | 136 |
| GN.80332 | GN 114.11-20-35 | 20 | 22.7 | 19.8 | 25 | 30.5 | 35 | 14.8 | 38.5 | 58 | 4.8 | 1.2 | 187 | 147 |
| GN.80333 | GN 114.11-20-40 | 20 | 22.7 | 19.8 | 25 | 30.5 | 40 | 14.8 | 38.5 | 58 | 4.8 | 1.2 | 187 | 159 |
| GN.80334 | GN 114.11-20-45 | 20 | 22.7 | 19.8 | 25 | 30.5 | 45 | 14.8 | 38.5 | 58 | 4.8 | 1.2 | 187 | 170 |
| GN.80335 | GN 114.11-20-50 | 20 | 22.7 | 19.8 | 25 | 30.5 | 50 | 14.8 | 38.5 | 58 | 4.8 | 1.2 | 187 | 181 |
| GN.80336 | GN 114.11-20-60 | 20 | 22.7 | 19.8 | 25 | 30.5 | 60 | 14.8 | 38.5 | 58 | 4.8 | 1.2 | 187 | 203 |
| GN.80337 | GN 114.11-20-70 | 20 | 22.7 | 19.8 | 25 | 30.5 | 70 | 14.8 | 38.5 | 58 | 4.8 | 1.2 | 187 | 226 |
| GN.80338 | GN 114.11-20-80 | 20 | 22.7 | 19.8 | 25 | 30.5 | 80 | 14.8 | 38.5 | 58 | 4.8 | 1.2 | 187 | 248 |
| GN.80339 | GN 114.11-20-90 | 20 | 22.7 | 19.8 | 25 | 30.5 | 90 | 14.8 | 38.5 | 58 | 4.8 | 1.2 | 187 | 270 |
| GN.80340 | GN 114.11-20-100 | 20 | 22.7 | 19.8 | 25 | 30.5 | 100 | 14.8 | 38.5 | 58 | 4.8 | 1.2 | 187 | 293 |
| GN.80341 | GN 114.11-20-110 | 20 | 22.7 | 19.8 | 25 | 30.5 | 110 | 14.8 | 38.5 | 58 | 4.8 | 1.2 | 187 | 315 |
| GN.80342 | GN 114.11-20-120 | 20 | 22.7 | 19.8 | 25 | 30.5 | 120 | 14.8 | 38.5 | 58 | 4.8 | 1.2 | 187 | 338 |
| GN.80343 | GN 114.11-20-130 | 20 | 22.7 | 19.8 | 25 | 30.5 | 130 | 14.8 | 38.5 | 58 | 4.8 | 1.2 | 187 | 360 |
| GN.80344 | GN 114.11-20-140 | 20 | 22.7 | 19.8 | 25 | 30.5 | 140 | 14.8 | 38.5 | 58 | 4.8 | 1.2 | 187 | 382 |
| GN.80345 | GN 114.11-20-150 | 20 | 22.7 | 19.8 | 25 | 30.5 | 150 | 14.8 | 38.5 | 58 | 4.8 | 1.2 | 187 | 405 |

Rastelemente